



Type A-Standard

Flanged Ends and Bolted Cover
 Cast Iron, ANSI Rated 125 lbs.
 125 psi Steam—200 psi WOG
 316 Stainless, ANSI Rated
 150 psi Steam—250 psi WOG
Larger sizes available upon request

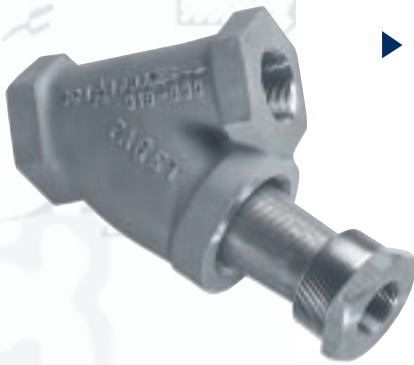
Pipe size	A	D	G	weight
1½	7¾	6¼	1	17
2	10¾	8	1	39
2½	11¾	9½	1¼	47
3	13¼	10¾	1¼	65
4	16¼	13	1¼	107
5	18	15	1½	150
6	20½	16½	1½	215
8	25	20	2	343

Extra Heavy

Flanged Ends and Bolted Cover
 Cast Iron, ANSI Rated 250 lbs.
 250 psi Steam—400 psi WOG
 Ductile Iron, *ANSI Rated 300 lbs.
 300 psi Steam—600 psi WOG
 *Available only in 2", 2½", 3", 4", and 6"
Larger sizes available upon request

Pipe size	A	D	G	weight
1½	10½	6½	1	34
2*	11¼	8¼	1	45
2½*	12½	9¾	1¼	59
3*	14	10¾	1¼	77
4*	17	13¼	1¼	135
5	19	15½	1½	210
6	21½	17¼	1½	262
8	26	20½	2	389

We also have Y-type strainers available in carbon steel, chrome-moly, carbon moly, bronze, stainless steel, monel and other speciality alloys. Available in flanged, butt weld or ring-type joints for pressures up to 2,500 psi. Consult sales department for pricing and availability.



Type B

Screwed Ends and Screwed Blow-Off
 Standard type for general service.
 Cast Iron Body, w/Stainless Steel Screen
 250 psi Steam—400 psi WOG
 Also Available in:
 Lead free bronze, w/Stainless Steel Screen
 300 psi Steam—400 psi WOG
 Ductile Iron, w/Stainless Steel Screen
 600 psi Steam—1000 psi WOG
 316 Stainless, w/Stainless Steel Screen
 600 psi Steam—1400 psi WOG

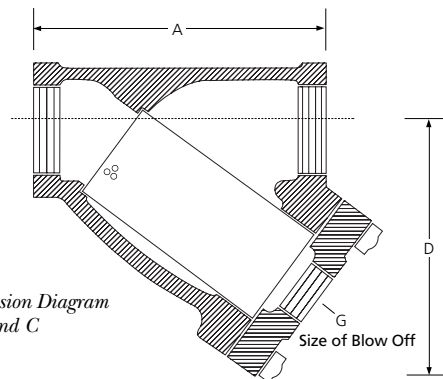
Pipe size	A	D	G	weight
¼	2½	2	¾	1
¾	4	3	¾	2
½	4	3	½	2¼
¾	4	3	½	2¼
1	5	4	¾	4¼
1¼	5½	4½	¾	6½
1½	6	5	1	8½
2	7¼	6½	1	14½
2½	9	8½	1¼	26



Type C

Screwed Ends and Bolted Cover
 Cast Iron, w/Stainless Steel Screen
 250 psi Steam—400 psi WOG
 Lead free bronze, w/Stainless Steel Screen
 300 psi Steam—400 psi WOG
 Ductile Iron, w/Stainless Steel Screen
 600 psi Steam—1000 psi WOG
 316 Stainless, w/Stainless Steel Screen
 600 psi Steam—1400 psi WOG

Pipe size	A	D	G	weight
2	8	6½	1	19
2½	9	9	1	32
3	10	9½	1¼	40
4	14¼	11	1¼	100



*Typical Dimension Diagram
 for Style A, B and C*

► Duplex Basket Strainers

Uses three-way ball valves with PTFE Seats which provide true, bubble-tight, shut-off sealing. Available with either screwed or flanged ends. Consult sales department for all special features. Larger sizes available upon request.

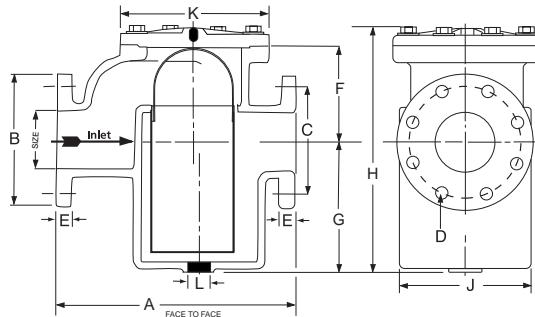
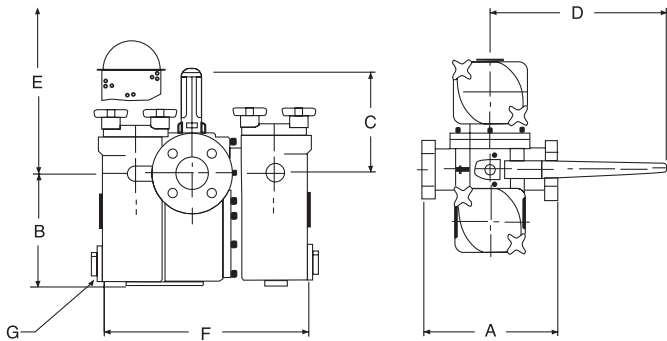
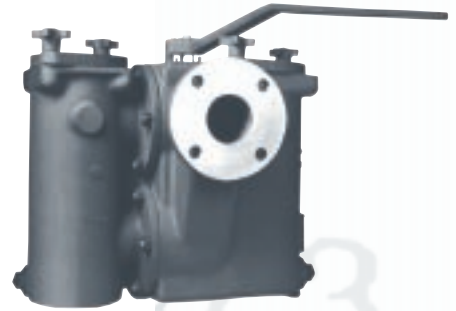
#791—125 lbs. ANSI Rated #794—300 lbs. ANSI Rated
 #792—150 lbs. ANSI Rated #796—600 lbs. ANSI Rated

Screwed End

Pipe size	A	B	C	D	E	F	G	weight
3/4	5 1/2	4 15/16	4 1/16	10	6 7/16	8 11/16	1/2	27
1	5 1/2	4 15/16	4 1/16	10	6 7/16	8 11/16	1/2	28
1 1/4	7 1/2	6 3/4	4 1/4	10	7 3/16	13 7/8	1 1/4	70
1 1/2	7 1/2	6 3/4	4 1/4	10	7 3/16	13 7/8	1 1/4	70
2	10	8 3/16	7 1/8	20	12 1/2	14 1/2	1 1/4	94
2 1/2	11 1/2	12	8 1/16	20	17 11/16	20	1 1/2	136
3	11 1/2	12	8 1/16	20	17 11/16	20	1 1/2	136

Flanged End

Pipe size	A-class 150	A-class 300/600	B	C	D	E	F	G	weight
1	6 7/8	6 7/8	4 15/16	4 1/16	10	6 7/16	8 11/16	1/2	33
1 1/4	9 3/8	9 3/8	6 3/4	4 1/4	10	7 3/16	13 7/8	1 1/4	60
1 1/2	9 3/8	9 3/8	6 3/4	4 1/4	10	7 3/16	13 7/8	1 1/4	60
2	10 5/8	10 5/8	8 3/16	7 1/8	20	12 1/2	14 1/2	1 1/4	100
2 1/2	13 1/2	14 1/4	12	8 1/16	20	17 21/32	20	1 1/2	160
3	13 1/2	14 1/4	12	8 1/16	20	17 21/32	20	1 1/2	160
4	16	16 1/2	15 3/4	15 1/2	10+	23 3/8	22 3/4	1 1/2	320
5	22	22 7/8	17	17 1/4	10+	25 1/4	24 1/4	1 1/2	610
6	22	22 7/8	17	17 1/4	10+	25 1/4	24 1/4	1 1/2	610



► Paget Type F Basket Strainers

Applications of **PAGET** Basket Strainers include cooling water, recirculating process water, swimming pools, water systems, oil storage and handling facilities, chemical and food processing.

Cast Iron Body and Cover

125 lbs. ANSI Rated—125 psi Steam—175 psi WOG
 316 Stainless Body and Cover (Avail. only in 2", 3", 4", and 6" sizes)

150 lbs. ANSI Rated—125 psi Steam—200 psi WOG

*Also available with a one-bolt, clamp cover, for quick opening.

Pipe size	A	B	C	D	E	F	G	H	J	K	L	weight
2*	FACE TO FACE 9 1/8	DIA. OF FLANGE 6	DIA. BOLT CIRCLE 4 3/4	NO. & SIZE OF HOLES 4--3/4	THICK. OF FLANGE 5/8	3 7/8	3 7/8	9	4 7/8	5	3/4	30
2 1/2*	10 5/8	7	5 1/2	4--3/4	1 1/16	4 1/8	5 1/2	11	5 3/4	6 1/2	3/4	54
3*	13	7 1/2	6	4--3/4	3/4	5 1/2	6 1/4	13 1/4	7 3/4	8 1/2	3/4	72
4*	15 7/8	9	7 1/2	8--3/4	15/16	6 5/8	9 1/8	17 3/8	8 3/4	9 3/4	1	130
5	18 1/2	10	8 1/2	8--7/8	15/16	8	11	20 3/4	9 1/2	10 5/8	1	150
6	19 1/4	11	9 1/2	8--7/8	1	9	13 3/16	24 1/8	10 3/4	12	1 1/4	235
8	25	13 1/2	11 3/4	8--7/8	1 1/8	11	18 1/4	31 5/8	12 5/8	15	1 1/4	435
10	29 1/2	16	14 1/4	12--1	1 3/16	13 1/2	20 3/4	36 5/8	16	18	1 1/2	789



Other Basket strainer styles; threaded, swing covers, larger capacities and/or special fabrications are available in bronze, carbon steel, cast iron or stainless steel materials. Consult sales department for pricing and availability. Larger sizes available upon request.

Strainers

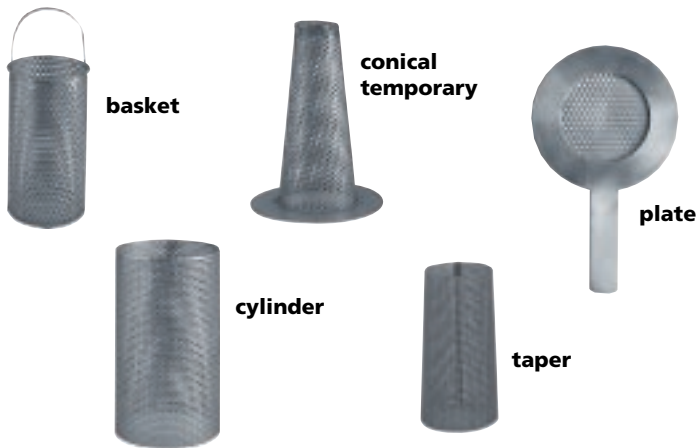
Selection of Strainers

Our **PAGET** brand of strainers are designed to successfully protect and increase the life of valves, pumps, traps, pressure regulators, controls and meters. Our design, rugged construction and large screening area, make our **PAGET** strainers exceptionally efficient. The strainer not only prevents passage of foreign matter in steam, water, air, oil or gas lines but retains it within the strainer body, where it is removed through a blow-off connection.

We can supply Y-type strainers in cast iron, ductile iron, lead free bronze, cast steel or stainless steel materials. The least expensive and most widely used are the cast iron strainers and are used in non-critical applications involving low pressures and low temperatures. Ductile iron strainers are used when strength, temperatures or mechanical shock are important considerations. The ductile iron has basically the same mechanical properties as cast steel but costs much less. Ductile iron is recommended for LP Gas services. Stainless steel is used for food or chemical processing. Lead free bronze is generally used for saltwater or brine applications.

Selection of Screening Elements

The efficiency of a strainer is dependent upon the proper selection of the size of the perforations or the number of wire mesh in the screening element. The industry's basic rule is to use the coarsest mesh or perforations that will strain out the harmful foreign particles. Anything smaller will plug up the element quicker and anything larger will allow the damaging particles to pass thru and wreak havoc on the equipment it was designed to protect.



Stocked Screen Perforations

- .024" diameter holes
- .033" diameter holes
- .045" diameter holes
- .0625" diameter holes
- .125" diameter holes
- .1875" diameter holes
- .250" diameter holes
- .375" diameter holes
- .500" diameter holes

Stocked Meshed Water Screens

- 20 mesh
- 30 mesh
- 40 mesh
- 50 mesh
- 60 mesh
- 80 mesh
- 100 mesh

Screens can be furnished with perforations ranging from $\frac{1}{64}$ " to $\frac{1}{2}$ " diameters in stainless steel (standard), monel or brass.

Stock wire mesh screens in stainless steel (standard), monel or brass are available in the following meshes: 20, 30, 40, 50, 60, 80, and 100. Finer mesh screen are available upon request. Please note that we do not make recommendations as to what screens you need for your particular application.

Replacement Screens and Baskets

We make replacement screens and baskets for our line of strainers, as well as for some other manufacturers' strainers when dimensions are available.

Temporary Line Strainers

We also make stainless steel temporary line strainers, which are installed between flanges at start-up time to collect the start-up debris and are later removed for the continuation of normal service.

Wide Selection and In-House Inventory

In addition to our large, in-house inventory of our **PAGET** brand of strainers, we also stock other strainers in order to offer our customers a solution to almost every application.

Our large, in-house inventory of our **PAGET** strainers enables us to manufacture and ship to our customers "**UPS-NEXT DAY**", when specified by our customers.

Manufactured in America by:

Self-Cleaning Strainer Co., Inc.
700 E. North St. Unit B (Office)
44W480 Keslinger Road (Warehouse)
Elburn, Illinois 60119
Phone 1-800-376-7130
Fax 630-365-5033

Sold and Distributed by: